

# Bladed Sway Bar Cable Kit Installation Notes

#CBLKT.997R

## Kit Contents:

- (1) 9' Push/Pull Cable
- (1) Cable Mounting Bracket
- (2) Cable Rode Ends
- (1) Blade Adjustment Lever
- (1) Blade Unlocking Shim



## Controller Configuration:

### Rear:

- To decrease the sway bar stiffness as the lever is moved forward the cable needs to be attached to the driver's side blade.
- To increase the sway bar stiffness as the lever is moved forward the cable needs to be attached to the passenger's side blade.

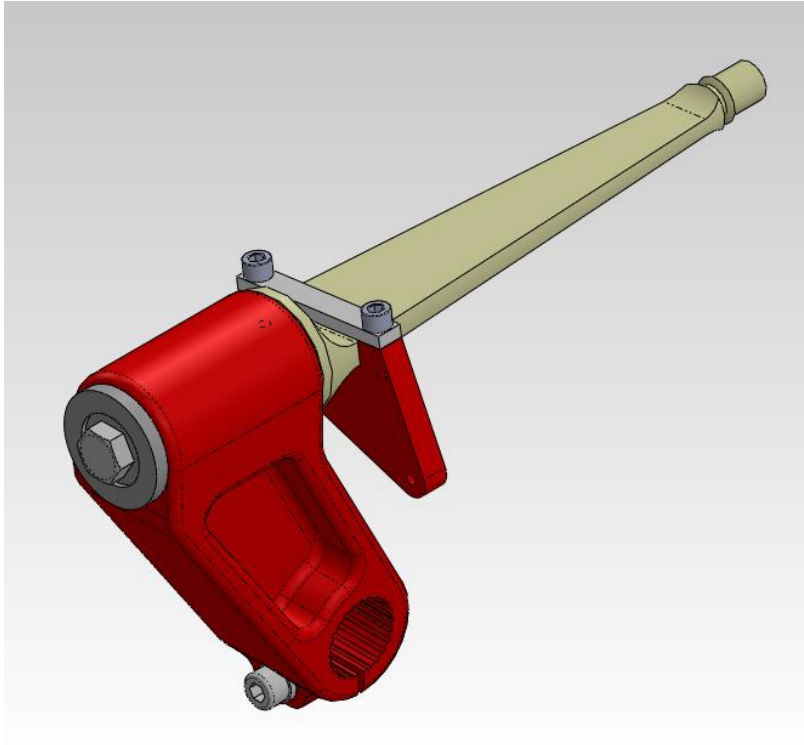


### Drop link / Rod end Installation:

- When installing the drop links onto the sway bar you will notice a red dot on one of the rod ends. Install this rod end on the same side of the sway bar that the adjuster is attached to.
- This rod end has a slightly looser fit and will prevent the sway bar blade/drop link from any binding during adjustment.

**Blade Adjustment Lever Orientation:**

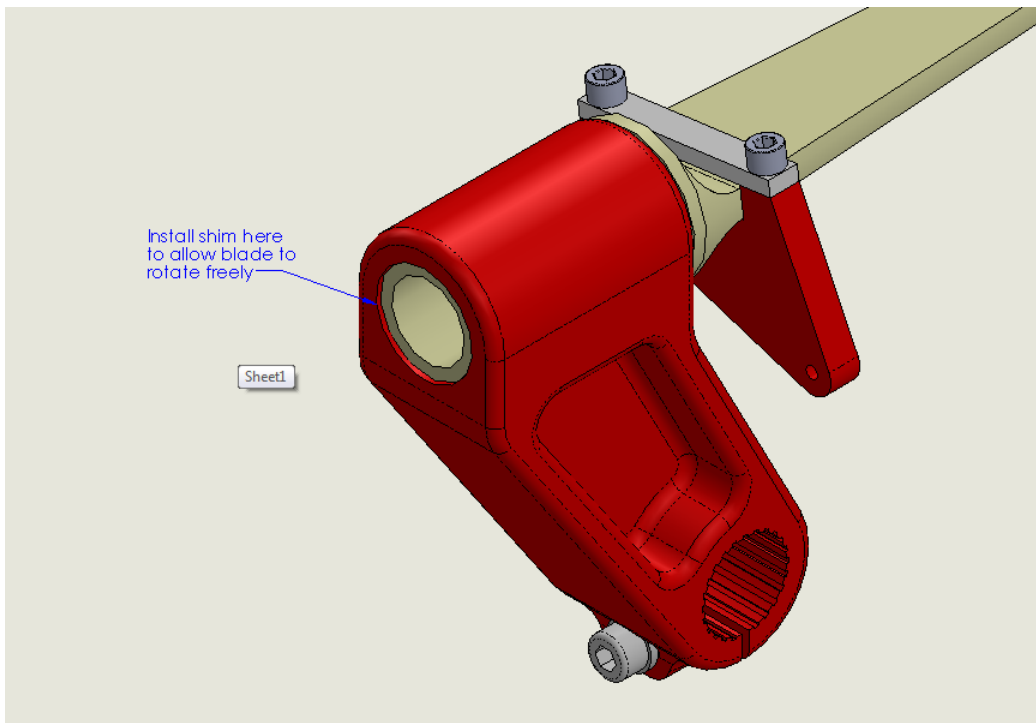
- Adjustment Lever should be facing inboard as shown.



(Driver's Side)

**Blade Unlocking Shim:**

- In order for the blade to rotate freely when connected to the controller the unlocking shim needs to be inserted as shown.



**Lever Pivot Position:**

- For the 997 Rear Bladed Sway bar the adjuster cable needs to be attached to the lowest of the 3 mounting holes (as shown).

