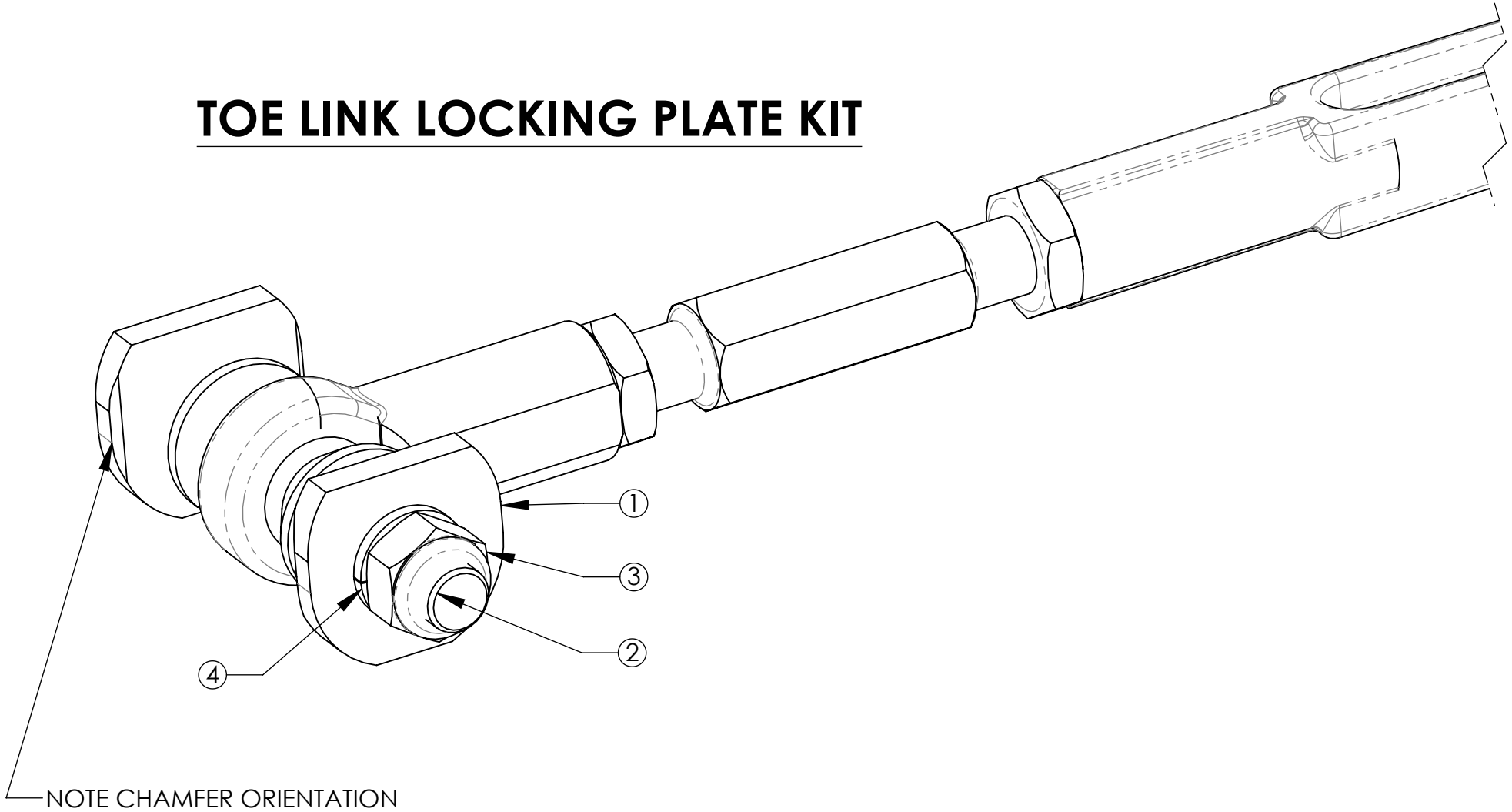


TARETT ENGINEERING

13741 Danielson Street St. G * Poway, CA 92064 * Ph: 858.674.5573 Fax: 858.386.4755 * www.Tarett.com

TOE LINK LOCKING PLATE KIT



Toe Link Locking Plate Kit Part List			
ITEM #	PART NUMBER	QTY	DESCRIPTION
1	CLPLT1	4	LOCKING PLATE, TOE LINK
2	M12X100HXHD	2	M12 X 1.50 X 100 BOLT, CLASS 8.8, ZINK-PLATED
3	M12-1.5NUTLK	2	M12 X 1.50 NUT, NYLOCK (74 ft-lbs)
4	M12SPLIT	2	M12 SPLIT WASHER
			* Tighten wheel carrier nut to 56 ft-lbs